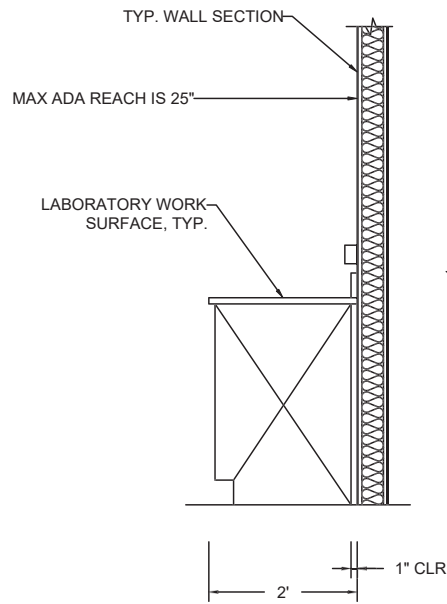
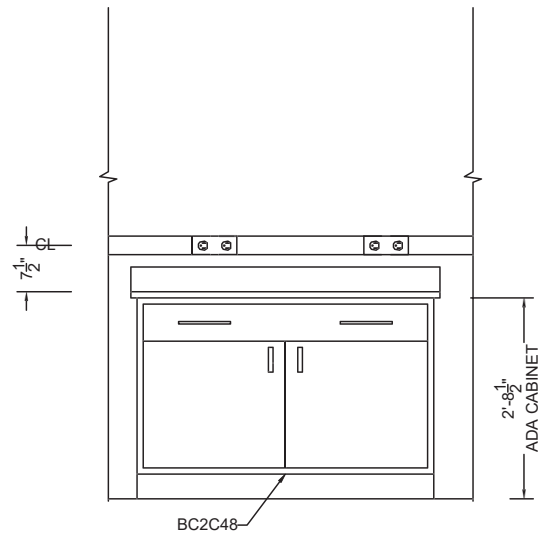


30" SECTION



24" SECTION



ELEVATION

TYP. ADA LAB CASEWORK
 SCALE: 1/2" = 1'-0"